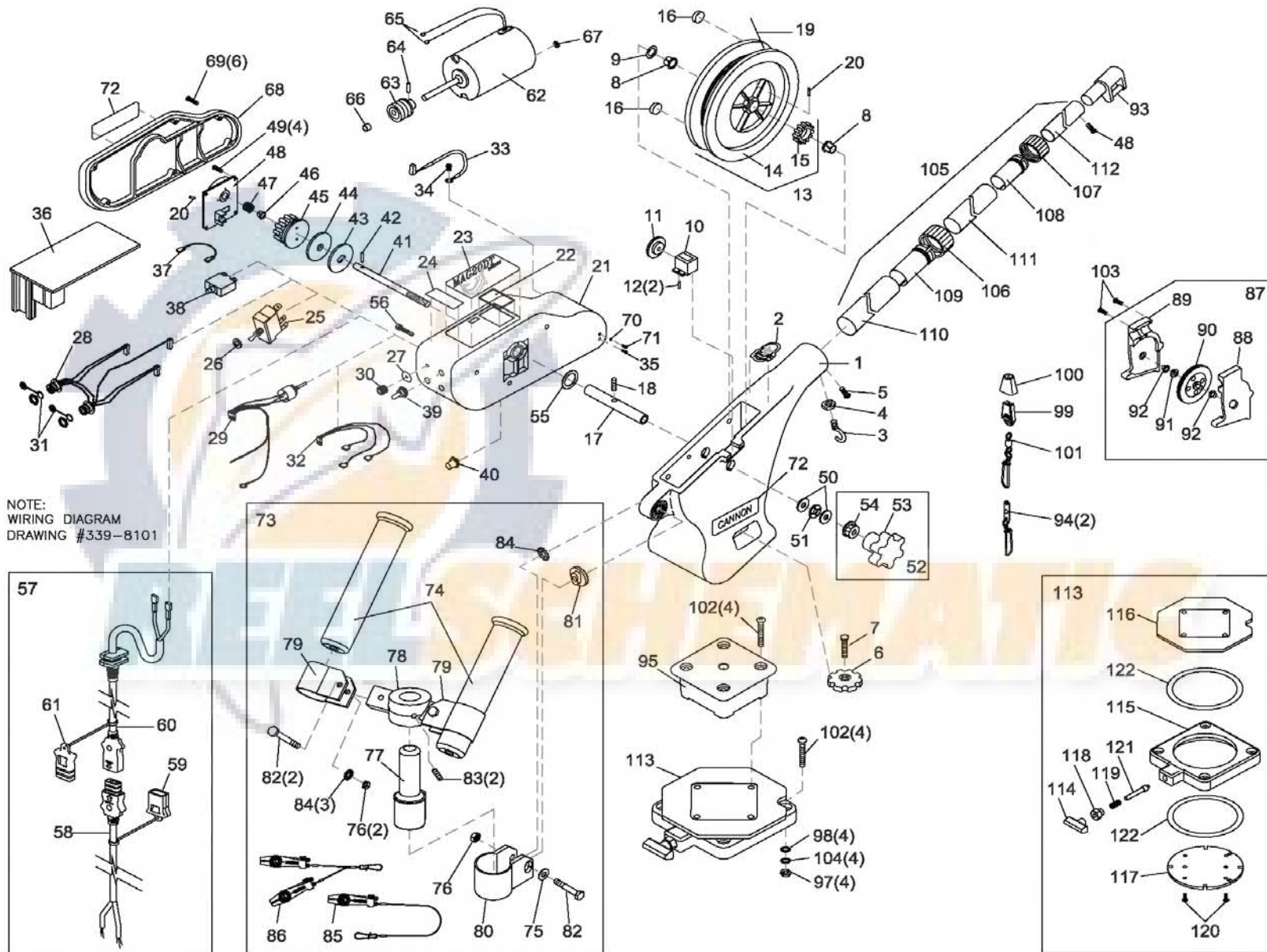




MAG 20 DT/HS/E™

for use with "AI" serial numbers



NOTE:
WIRING DIAGRAM
DRAWING #339-8101

In the U.S.A., replacement parts may be ordered directly from CANNON Parts Dept., 121 Power Drive, Mankato, Minnesota 56001. In Canada, parts may be ordered from any of the Canadian Authorized Service Centers shown on the enclosed list. Be sure to provide the MODEL and SERIAL numbers of your downrigger when ordering parts. Please use the correct part numbers from the parts list. Payment for any parts ordered from the CANNON parts department, may be by cash, personal check, Discover Card, MasterCard or VISA. To order, call 1-800-227-6433 or FAX 1-800-527-4464.

1	3392500	FRAME - LARGE BLACK (LEXAN)	42	9250002	PIN - DRIVE SHAFT 3/16" ROLL SS	83	9340101	>SCREW - SET 3/8"-16 x 5/8" [2.EA]
2	4427005	NOSE DECAL MAGNUM	43	0467695	BRAKE PLATE - REEL	84	9430160	>WASHER - STAR 5/16" [3.EA]
3	9040040	HOOK - 1/4" - 20 ROLLED	44	1264670	CLUTCH PAD	85	2277002	>UNIVERSAL LINE RELEASE
4	2263102	NUT - HEX 1/4"-20	45	1433074	GEAR - DRIVER WORM	86	3998600	>UNI-STACKER RELEASE
5	9280750	SCREW - 1/4" - 20 (RH) x 3/4" PPH	46	9010003	BEARING - DRIVE SHAFT NYLINER	87	3992300	SWIVEL HEAD ASSEMBLY
6	0849615	BASE LOCK KNOB	47	9400005	SPRING - SHAFT CONTACT	88	0267001	▶SIDE PLATE (RH)
7	9040340	BOLT - 3/8"-16 X 1-1/2" HEX	48	4421002	COVER - GEAR CASE	89	0267002	▶SIDE PLATE (LH)
8	9010001	BEARING - REEL SHAFT NYLINER [2.EA]	49	2372100	SCREW - #8 x 5/8" PPHMS [5.EA]	90	0269726	▶PULLY - SWIVEL HEAD
9	9430210	WASHER - 1-1/16" OD X 7/8" ID (NYLON)	50	9010310	WASHER - THRUST [2.EA]	91	3397300	▶WASHER - .735 OD X .36 ID
10	3320011	DEPTH COUNTER - 3 DIGIT (METRIC)	51	9010280	BEARING - THRUST	92	9010070	▶HDW BEARING BRASS[2.EA]
11	3333010	COUNTER GEAR (METRIC)	52	2998906	KNOB BRAKE	93	2227820	BOOM END - TELESCOPIC (LEXAN)
12	0854654	COUNTER CUSHION/STOPPER [2.EA]	53	0649001	▶KNOB - HAND ADJUST	94	2200148	SNAP & INSULATOR [2.EA]
13	3374010	REEL ASSY - HS ELECTRIC (METRIC)	54	9130390	▶NUT - KNURLED INSERT 3/8"-24	95	1007334	MOUNTING BASE (LEXAN)
14	0274731	▶REEL - MACHINED 3.75"	55	1479070	O-RING - REEL SHAFT	96	2994893	*BAG ASSEMBLY, MOUNTING (KIT #3)
15	3333011	>GEAR REEL (METRIC)	56	9370205	SCREW - 1/4" x 3/4" HEX WASH HD [3.EA]	97	2263102	NUT - HEX 1/4"-20 [4.EA]
16	1459666	REEL MAGNET [2.EA]	57	3993200	POWER CABLE ASSEMBLY	98	2371712	WASHER - 9/32" FLAT [4.EA]
17	1480071	SHAFT - REEL	58	3393200	>POWER CABLE - BATTERY	99	9100100	TERMINATOR
18	9340131	SCREW - SET 5/16"-18 x 1-3/4" (REEL)	59	3393201	>CAP - POWER CABLE - BATTERY	100	9100101	TERMINATOR CUSHION
19	3775397	SPOOL CABLE SS [400.FT]	60	3393202	>POWER CABLE - MOTOR	101	9100620	TERMINATOR SNAP & SWIVEL
20	9100070	CABLE LEADER SLEEVE [2.EA]	61	3393210	>CAP - POWER CABLE -MOTOR	102	9280725	BOLT - TRUSS 1/4" - 20 x 2-1/2" [8.EA]
21	3396530	MOTOR HOUSING - MAG 20 (LEXAN)	62	1458001	MOTOR 12V DC	103	9370010	SCREW - #4 x 1/2" PPH [3.EA]
22	1497071	LENSE - WINDOW DISPLAY	63	1497070	GEAR - WORM MOTOR	104	9950357	WASHER - LOCK 1/4" SPLIT [4.EA]
23	3395620	DECAL - LARGE, MAG 20 DT/HS	64	9250001	PIN - MOTOR, 3/32" X 3/4" ROLL SS	105	2210821	TELESCOPIC BOOM
24	3395702	DECAL - POSITIVE ION CONTROL	65	700032	TERMINAL - MOTOR, FEM 12-10 [2.EA]	106	2219822	>BASE TUBE CLAMP
25	2286792	SWITCH - UP/DN CONTROL	66	9010002	BEARING - MOTOR SHAFT	107	2219823	>MID TUBE CLAMP
26	2286793	WASHER - SHIM .750 x .1 UP/DN SWITCH	67	2263112	NUT - HEX #10-32 BZ	108	2222825	>MID TUBE COLLET
27	3395703	DECAL - PIC KNOB DIAL	68	1421072	COVER - MOTOR HOUSING (LEXAN)	109	2222826	>BASE TUBE COLLET
28	050268	CABLE ASSY - MAG20DT (DATA IN/OUT)	69	3393400	SCREW - #8-18 x 1-1/4" PPHSMS SS [6.EA]	110	2290828	▶BOOM BASE TUBE (BLACK)
29	050215	POSITIVE ION CONTROL POT	70	701007	O-RING - SMALL	111	2290829	▶BOOM MID TUBE (BLACK)
30	611005	KNOB - POSITIVE ION CONTROL	71	2332103	SCREW-#6-20 X 3/8"	112	2290830	▶BOOM END TUBE (BLACK)
31	700176	CAP - CONNECTION PORT [2.EA]	72	3395630	DECAL - CANNON LARGE [2.EA]	113	2998905	SWIVEL BASE
32	609209	CABLE ASSY - MAG20DT UP/DN SWITCH	73	3991902	BAG ASSY - DUAL REAR ROD HOLDER	114	2249001	>KNOB - RELEASE PIN (LEXAN)
33	609253	CABLE ASSY - ANTENNA IN (SENSOR)	74	0290796	>TUBE - ROD HOLDER [2.EA]	115	2267001	>BASE PLATE (LEXAN)
34	1234002	INSERT - 1/4" PRESS THD #6-32	75	2151726	>WASHER - 5/16" FLAT	116	2267002	>SWIVEL PLATE (LEXAN)
35	603103	SCREW - MACH #6-32 x 3/8" SS	76	2383106	>NUT - 5/16"-18 SS [3.EA]	117	2267006	>INDEXING PLATE (TAPPED)
36	050265	CONTROL BOARD - MAG 20 DT	77	2411386	>POST - REAR MOUNT (LEXAN)	118	2277001	>NUT - RETAINER RELEASE
37	1296831	WIRE - CIRCUIT BREAKER JUMPER (RED)	78	2411390	>BRACKET - DUAL ROD (LEXAN)	119	2287002	>SPRING - RELEASE PIN
38	3398205	CIRCUIT BREAKER - 30 AMP	79	2419470	>CLAMP - ROD HOLDER [2.EA]	120	2372100	>SCREW - #8 x 5/8" PPHMS [2.EA]
39	1221490	UP/DN SWITCH BOOT	80	3319005	>CLAMP - ROD HOLDER w/ SLOT	121	3392600	>RELEASE PIN
40	1221491	CIRCUIT BREAKER BOOT	81	3325002	>DISK - ROD HOLDER	122	9010004	>BEARING - SWIVEL BASE [2.EA]
41	1480070	SHAFT - DRIVE	82	9040310	>BOLT - HEX 5/16"-18 x 2" [3.EA]			

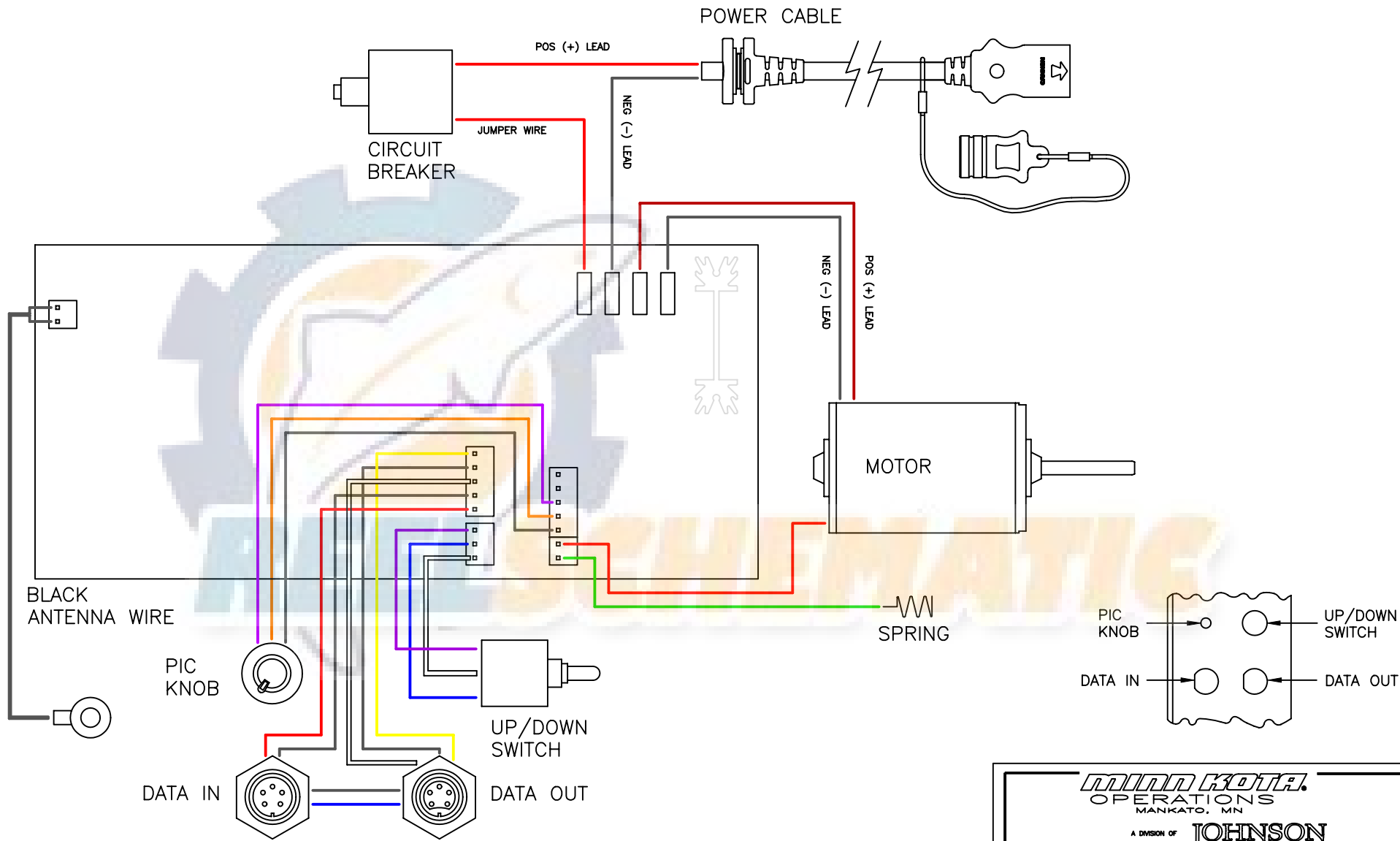
> PART OF ASSEMBLY

▶ ITEM CANNOT BE SOLD SEPARATELY

* PARTS USED BUT NOT SHOWN

PART NO: 339-8101

REVISIONS					
REV.	ECN NO.	DESCRIPTION	BY	DATE	APP'D BY
A	15412	RELEASED	JLL	10/18/06	DJ
B	30583	REVISED IDC WIRE PLACEMENT	JLL	11/05/07	DJ



MINN KOTA
OPERATIONS
MANKATO, MN

A DIVISION OF **JOHNSON OUTDOORS**
THE SPIRIT OF ADVENTURE

TOLERANCES:
UNLESS OTHERWISE SPECIFIED
.XXX ±.0010
.XX ±.005
.X ±.010
X ±.015
FRACTIONAL ± 1/64
ANGULAR DIMENSIONS ± 0°30'

CONFIDENTIAL PROPERTY—
This document is the confidential property of Johnson Outdoors and is loaned subject to return upon demand; title to same is never sold/transferred for any reason. This document is to be used only pursuant to written instructions of Johnson Outdoors. All rights to designs and inventions are reserved by Johnson Outdoors. Possession of this document is accepted subject to the foregoing.

THIRD ANGLE PROJECTION

DRAWN BY: JLL
DATE: 10/18/06

APP'VD BY: DJ
DATE: 10/18/06

CHECKED BY:
DATE:

FINISH: NONE	PART NAME: MAG 20 DT WIRING DIAGRAM	A SIZE
MATERIAL: NONE	RELEASED ECN# 15412	REV.: B
	PART NO.: 339-8101	U/M: IN.
	SCALE: NONE	SHEET 1 OF 1